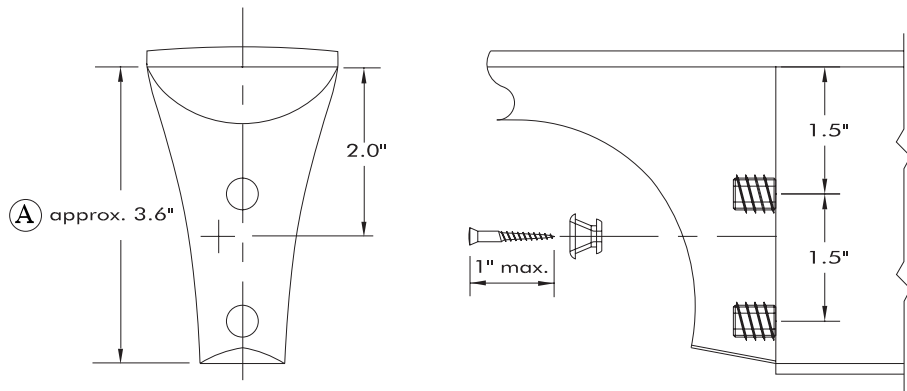


STRAP PIN INSTALLATION

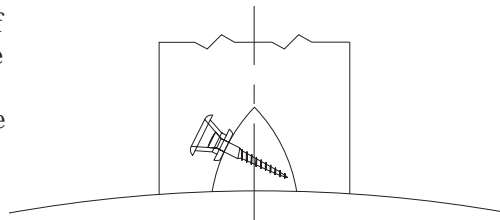
Taylor guitar necks are fastened to the body using two special brass inserts that are installed into the heel of the neck. For this reason, it is important to install a strap pin in the proper location. If the wrong location is chosen, the strap pin screws will run into the brass inserts and prevent the installation of the strap pin, leaving an unsightly hole behind.

For Dreadnought, Jumbo, and Grand Auditorium models, measure 2" down from the bottom of the fingerboard. Do this on the treble side of the heel and position the pin as shown in figure 1. If you are unsure of your model, measure the length of the heel and compare with measurement "A."

FIGURE 1.



(7/64" drill bit should be used to create a pilot hole)

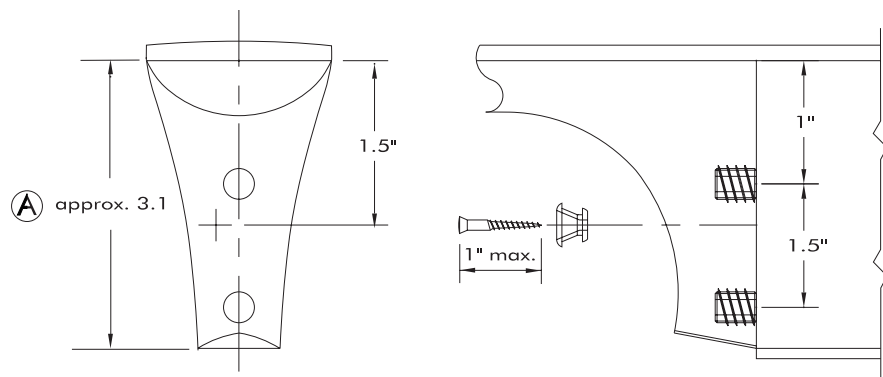


Note: Installation of strap pin should be done by an experienced person only. **Do not use power screwdrivers** as they can crack the heel.

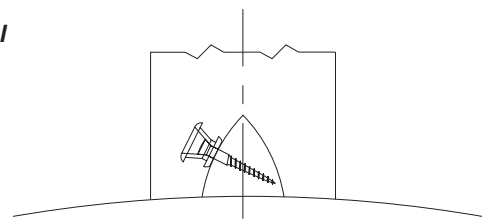
STRAP PIN INSTALLATION FOR GRAND CONCERT GUITARS

For Grand Concerts, measure 1.5" down from the bottom of the fingerboard. Do this on the treble side of the heel and position the pin as shown in figure 2.

FIGURE 2.



(7/64" drill bit should be used to create a pilot hole)



Note: Never attempt to install a strap button into the triangular heel cap of the neck.

